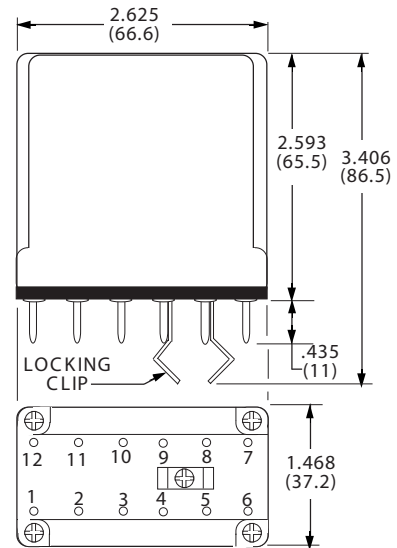


The RSX1800 Alarm Relay consists of a pair of 2 pole or 3 pole relays enclosed in a clear plastic cover. The relay is wired so that it performs the basic functions of Interfacing between a alarm point and an alarm light and/or an acoustic sounding device. The RSX1800 operates from a normally closed trouble contact, while the RSX1800Z operates from a normally open trouble contact. Either a sustained or momentary alarm condition will energize the relay when signalled by an external trouble contact. The Alarm can be allowed to continue until the trouble has been corrected, at which time it automatically resets.

0.10 Dia. x .435 (2.54 x 11)  
Typical of all Pin Dimensions



COIL DATA  
Measured at 25 °C

AC Coils, 50/60Hz			AC Coils, 50/60Hz		
Volts	Ohms	mA	Volts	Ohms	mA
6	10.7	200	6	35	170
12	41.1	100	12	150	80
24	170	59	24	560	43
120	4500	10	115-125	11,000	10.5

## STRUTHERS-DUNN

<b>ORDERING CODE</b>	
Typical Type No.	RSX1800 S 120A
Series	219 Industrial plug-in style Alarm relay 5 Amp, 2 Pole
Design for Trouble Contacts	Operate from N.C. trouble contact- CODE S* Operate from N.O. Trouble contact- CODE Z*
Coil Voltage	AC6, 12, 24, 120, (Add "A") DC: 6, 12, 24 110-125 (Add "D")

\* Codes "S" & "Z" are 120 VAC only. All other codes are "AD" for NC input or "ZZ" for NO input.

MATING SOCKET 27390D

## STRUTHERS-DUNN

# INDUSTRIAL PLUG-IN ALARM RELAY 5 AMP, 2 POLE

## GENERAL SPECIFICATIONS (@ 25 °C)

### LEGEND

K1 - Alarm/Silencing Relay.  
 K2 - Alarm/Silencing Relay.  
 A - Horn & optional Flasher.  
 TT - Lamp test (optional).  
 L1 - Line voltage.  
 R - Reset (optional for manual reset only).  
 S - Horn Silence (acknowledge).  
 F - Flasher (Optional).  
 N - Neutral.  
 Relays are supplied only with the items and wiring shown within the rectangles in schematics.

NOTE: For additional alarms, jumper to like terminals as shown.

### CONTACTS

Contact Material: Silver Cadmium Oxide.

Rating: 5 AMP, 120Vac/30Vdc Resistive  
 20 mS Max. @ Nominal Voltage.

### TIMING

Operate Time: 25 Milliseconds max.  
 Release Time: 20 milliseconds max.

### DIELECTRIC STRENGTH

Across open contacts: 500 V rms  
 Between all mutually insulated current carrying parts: 1500 V rms

### TEMPERATURE

Rated Operation: -10°C to +70 °C

### LIFE EXPECTANCY

Mechanical: 20 Million Operations no load  
 Electrical: 500,000 Operations @ Rated Load.

### MISCELLANEOUS

Enclosure: Clear polycarbonate.  
 Operating Position: Any  
 Weight: 8.8 oz (250 g) approx.

MANUAL RESET (RSX1800S)

Manual (Push-button) Reset Sequence.	K1	K2	Flasher	Horn	Lamp
1- Normal	ON	ON	OFF	OFF	OFF
2- Alarm	OFF	ON	ON	ON	Flashing
3- Acknowledge	OFF	OFF	OFF	OFF	ON
4- Alarm Contact Recloses	OFF	OFF	OFF	OFF	ON
5- Reset	ON	ON	OFF	OFF	OFF
6- Lamp Test	ON	ON	OFF	OFF	ON

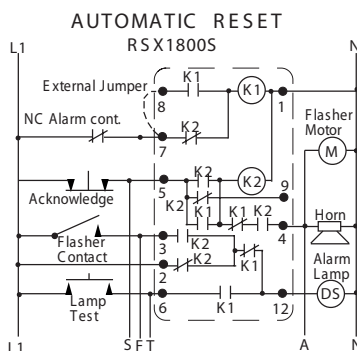
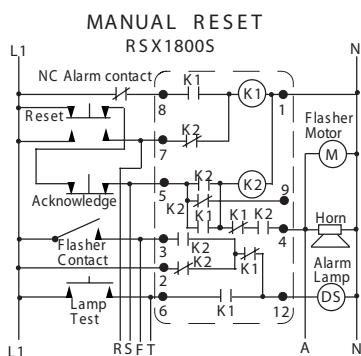
AUTOMATIC RESET (RSX1800S)

Automatic Reset Sequence.	K1	K2	Flasher	Horn	Lamp
1- Normal	ON	ON	OFF	OFF	OFF
2- Alarm	OFF	ON	ON	ON	Flashing
3- Acknowledge	OFF	OFF	OFF	OFF	ON
4- Alarm Contact Recloses	On	On	OFF	OFF	OFF
5- Lamp Out	ON	ON	OFF	OFF	ON

\* OMIT for RESET (RSX1800Z)

Automatic or Manual	K1	K2	Flasher	Horn	Lamp
1- Normal	OFF	ON	OFF	OFF	OFF
2- Alarm	ON	ON	ON	ON	Flashing
3- Acknowledge	ON	OFF	OFF	OFF	ON
4- Trouble Contact Reopens. Auto reset Manual reset	OFF	ON	OFF	OFF	OFF
5- Reset	ON	OFF	OFF	OFF	ON
6- Lamp Test	OFF	ON	OFF	OFF	ON

\* External Jumper supplied by C customer.



AUTO or MANUAL RESET RSX1800Z

